



EVA.5



CONTROL PANELS:

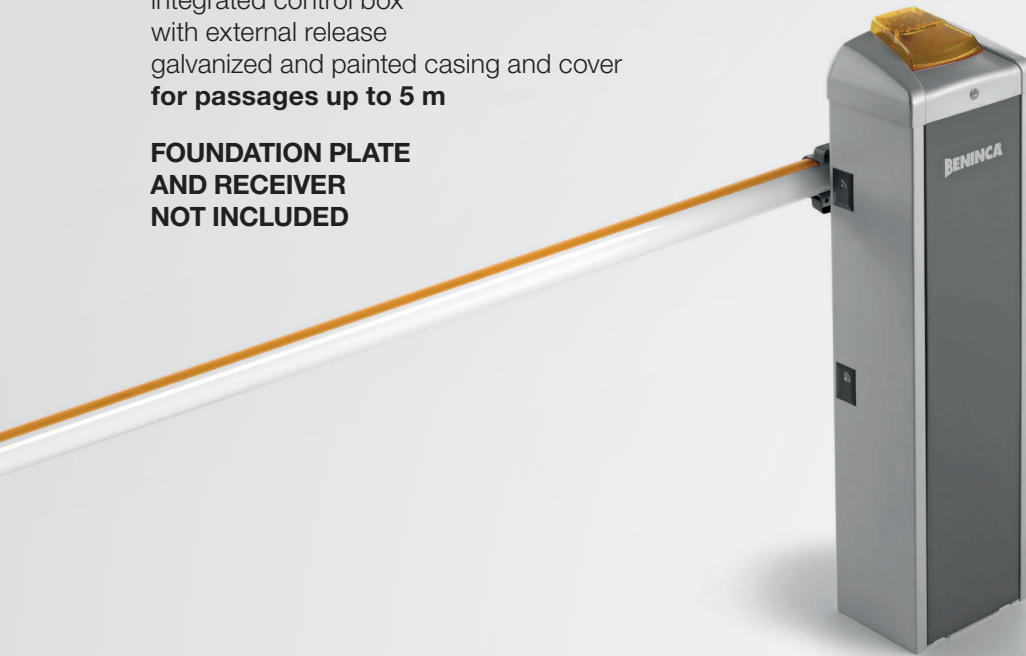
EVA.5 ———— | CP.EVA



ROAD BARRIERS

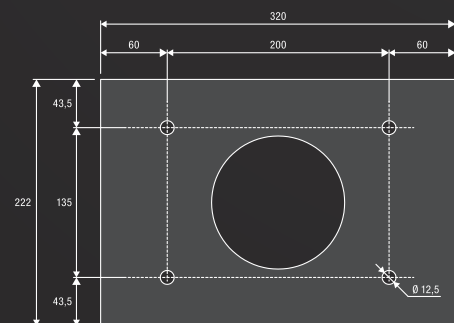
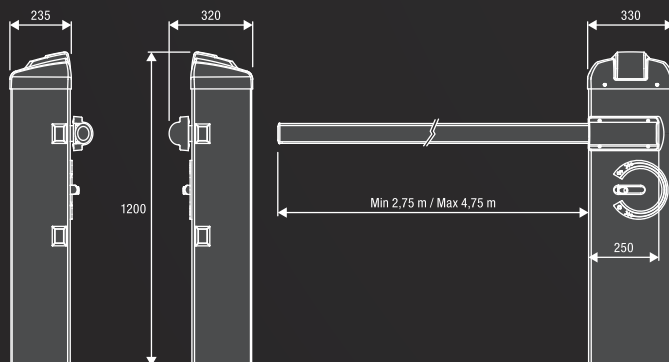
integrated control box
with external release
galvanized and painted casing and cover
for passages up to 5 m

**FOUNDATION PLATE
AND RECEIVER
NOT INCLUDED**

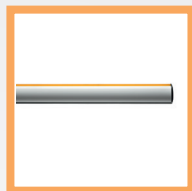


24 Vdc | intensive use

- 24 Vdc electromechanical barrier for intensive use. The barrier can be easily switched over to the other side.
- Easy and fast programming of the control panel thanks to its being positioned on the top of the road barrier
- Extremely easy use and programming of the road barrier
- Possibility of integrated FTC.S photocells thanks to the innovative hide-away system
- Possibility of battery back up system
- Amperometric anticrushing control
- New fast acting release
- Elliptical rod with built-in rubber profile and optional built-in led lights
- Built-in flasher (requires EVA.LAMP card accessory)
- Three adjustable limit switches for the braking phases and the closure position
- 2 adjustable mechanical stops
- Simple, quick and reliable rod balancing system
- Foundation plate accessory with VE.PS coach screws



VE.PS



EVA5.A
9081005

Elliptical arm of painted aluminium complete with cap and anti-collision rubber profile. (L. 5m)
Available in two pieces with joint (EVA5.2A).



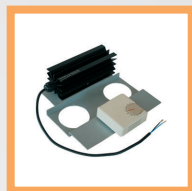
EVA5.G
9424002

Aluminium joint for EVA5.2A.



VE.PS
9623068

Foundation plate with coach screws for EVA5.



VE.TERM
9864010

Thermostat for very cold places.



VE.AM
9078020

Mobile support for bars.



VE.RAST
9672010

Aluminium rack L= 2 m.
H= 60 cm



EVA.AF
9078035

Painted fixed support.



EVA.L
9534002

Flashing light set for EVA5.A.



EVA.SUP
9619035

Support for EVA internal accessories.



VE.KM1HN
9614267

VE.KM2HN
9614268
Single/two-channel loop detector.



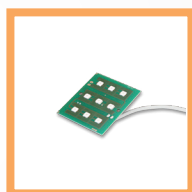
VE.CS
9760050

Traffic-light control unit for LED.TL.



LED.TL
9766003

2 light 230 Vac LED traffic light.



EVA.LAMP
9534003

Circuit for EVA5 / EVA.7 flashing light.



EVA.CAT5
9549030

Set of 20 adhesive refractor strips for EVA5.A.



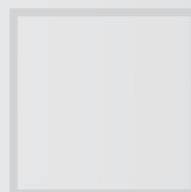
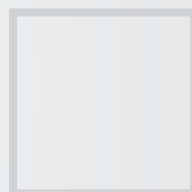
ESA BASIC
9176108

System that reduces the electrical energy consumption. In the EVA.5 model, the use of ESA BASIC is not compatible with the battery operation.



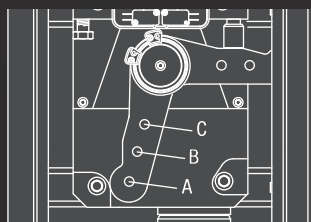
KSUN
9611004

KIT for system operation via solar panel.
For 24 Vdc models.



MADE IN ITALY

AUTOMATISMI BENINCA SpA • via del Capitello, 45 • 36066 Sandrigo (VI) ITALY • T +39 0444 751030 • F +39 0444 759728 • sales@beninca.it



ACCESSORIES FOR USE

	BAR LENGHT (m)				
	3	3.5	4	4.5	5
EVA5.A	C	C	B	B	A
EVA5.A + VE.RAST	C	B	B	A	A
EVA5.A + VE.AM	C	C	B	B	A
EVA5.A + VE.RAST + VE.AM	C	B	B	A	A
EVA5.A + SC.RES	C	B	B	A	A
EVA5.A + SC.RES + VE.AM	C	B	B	A	A

TECHNICAL DATA

	EVA.5
Code	9083106
Power supply	230 Vac (50-60Hz)
Motor supply	24 Vdc
Max absorbed current	1.6 A
Torque	205 Nm
Opening time	3" - 5"
Operation cycle	intensive use
Protection level	IP44
Operating temperature	-20°C / +50°C
Weight	55 kg
Items no. per pallet	9

Key: EVA5.A: Shank with rubber and upper profile / VE.RAST: Aluminium skirt / VE.AM: Mobile support for bar / SC.RES: Sensitive resistive edge (complying with annexe 4 of the Machines Directive).

Attention: The installation of the VE.RAST interferes with the use of the SC.RES and vice versa. The installation of the EVA.L lights kit does not influence the balancing of the bar.